

HUNTER

**OPERATOR'S
MANUAL**

BANDIT 2000B

**LINEAR
AMPLIFIER**

Hunter Manufacturing Company, Inc.

IOWA CITY, IOWA

\$2.00



BANDIT 2000B LINEAR AMPLIFIER

Table of Contents

1. Unpacking and Inspection Page 1



IOWA CITY, IOWA



BANDIT 2000B LINEAR AMPLIFIER

Table of Contents

1.	Unpacking and Inspection	Page 1
2.	Description	Page 1
	a. General	
	b. Operation	
3.	Installation of Tubes	Page 2
	a. Removal of H. V. Shield	
	b. Installation of Tubes	
4.	Power Requirement	Page 2
5.	Ventilation	Page 3
6.	Input Impedance and Driving Requirement	Page 3
7.	Output and Antenna Impedance	Page 3
8.	Connecting the Linear	Page 3
	a. For Transceiver Operation	
	b. For Transmitter-Receiver Operation	
9.	Tuning Procedure	Page 5
10.	Modulation	Page 6
11.	GW Operation	Page 6
12.	AM and RTTY Operation	Page 6
13.	Idling Current	Page 7
14.	Removal of the Case	Page 7
15.	Output Check	Page 7
16.	Maintenance	Page 8
17.	Repair	Page 8
18.	Power Transformer	Page 9
19.	Summary of Caution Notes	Page 9
20.	Factory Repair	Page 10
21.	Warranty	Page 10
	Parts List	Page 12
	Parts List	Page 13
	Parts List	Page 14
	Figures 1, 2, and 3	Page 15
	Figures 4 and 5, top and bottom view	Page 16
	Schematic Diagram	Page 17
	Replacement Parts Price Sheet	Page 18

April 1964

Hunter Manufacturing Company, Inc.

IOWA CITY, IOWA

1. UNPACKING AND INSPECTION

Lift the Bandit from the carton. Inspect the unit for visible damage which may have incurred during shipment. If damage can be detected, save all packing materials and contact the transportation company for damage claim instructions. Also notify the factory in order that repair or replacement procedures may be activated.

Remove, fill in, and mail the warranty card as soon as possible. The card must be returned within ten days to qualify the unit for warranty service. The serial number is located at the lower left hand portion by the rear panel jacks.

Note: The warranty card must be at the factory within 20 days after the unit was purchased. If the card is not returned the unit is not eligible for any type of warranty service.

Check all controls and switches for freedom of operation. Open and unpack the shipping carton containing the tubes (if applicable).

2. DESCRIPTION

A. General

The Bandit is a desk top high power linear amplifier designed to operate on all amateur frequencies allotted on the 80, 40, 20, 15 and 10 meter bands.

The operator should always keep in mind that this compact unit packs a punch of 2000 input watts, and consequently, should by no means be treated like a low powered linear of comparable size. Please keep in mind that lethal voltages are present whenever the power is turned on.

B. Operation

The excitation signal enters the linear by means of the R. F. input jack and is routed directly to the cathodes of the zero-bias triodes. A non-inductive resistor (R-13) serves to match the input impedance and to eliminate any possible parasitic oscillations. The value of this resistor can be reduced in case excessive driving power is available. The 37.5 ohm resistors in the grid circuit are an additional method to eliminate parasitic oscillation. The idling current is reduced by means of placing a resistor (R-14) into the cathode circuit. The four plates are coupled to the final pi-network by means of further parasitic suppressors and the coupling capacitor (C5). The pi-network, in turn, is coupled to the antenna by means of the remote operated antenna relay (RX-1).

The self contained power supply utilizes solid state rectifiers and a voltage doubler network capable of supplying a full 2000 watts without being overloaded. The resistor (R-8) in the center lead of the transformer serves as the current limiting

resistor. The transformer tap switch (S-4) may be used to reduce the available power capability.

CAUTION | Turn the power switch to Off before using the tap switch (S-4).

Provisions are made to change the operation from 115 VAC to 230 VAC.

3. INSTALLATION OF TUBES

In most cases the tubes will be installed and only the packing around them must be removed. The high voltage cover must be taken off in order to remove the packing. In some instances the tubes will be shipped separately and the user must install them.

a. Removal of the H. V. Shield

To remove the cover, please observe the following steps. Take out the screw shown in Figure 1 and slide the cover approximately 1/4 inch towards the middle of the unit, then raise the rear of the cover and pull backwards. This should disengage the front of the cover and it will slide out.

b. Installation of Tubes

Remove a tube from its carton and insert it into one of the lower sockets. (V3 or V4, see Figure 3)

CAUTION | Do not excessively bend the plate caps. These caps are held on by means of the resistor leads and may break off in case of forceful bending.

Next insert the second tube into the other bottom socket. Finally insert both of the top tubes. Make certain that the tubes are seated properly and that the plate caps are properly attached. The tubes must have an air space between each other and the aluminum chassis. Improper seating may cause overheating of the tubes. Finally check the plate leads for proper spacing. Be sure to replace and fasten the H. V. Shield before operating the Bandit.

Note: Check the cooling fans for freedom of operation. In case the tube V2 or V4 is improperly seated, the cooling fan may strike the tubes.

4. POWER REQUIREMENTS

The Bandit 2000A may be operated from a 115-120, 220-240 VAC, 50 or 60 cps power source. Due to the fact that the peak line current during modulation will be in the order of 20 amperes on 115 V operation, the operator should provide an excellent 115 volt power source (No. 10 copper wire service is desirable). To change from 115 volt to 230 volt operation, the unit must be removed from its case and a set of jumper lugs must be changed, as shown in Figure 2. Keep in mind that low supply

voltage will result in low filament voltage, which in turn will shorten tube life. Operation on 50 cps will reduce the fan speed and the amount of cooling air. It is recommended that an external fan be utilized in case overheating occurs.

5. VENTILATION

Locate the Bandit in such a position that there is room for sufficient air circulation around the Bandit. Several inches of room must be left between the tube side of the Bandit and other objects. In case your operating quarters are confined so that air cannot freely circulate, you should consider a small external fan to circulate the air around your equipment. This becomes particularly important when the ambient temperature is very high. The top and tube side of the Bandit will become quite warm. Under continuous operation, the top and tube side will become uncomfortably hot to the hand.

CAUTION | Do not place other equipment, books or papers on top of the Bandit case.

6. INPUT IMPEDANCE AND DRIVING REQUIREMENT

The Bandit was designed to be operated with modern exciters having output impedances of 50-70 ohms. An RG-58/U approximately 3 ft. long should be used for connecting the exciter to the linear. This cable is furnished with RF (phono) jacks at each end. The exciter should be capable of 100 watts output in order to drive the Bandit at its full capacity. The excitation may be considerably higher without causing damage to the Bandit. The value of the resistor R-13 may be decreased in case the driving power is too excessive.

7. OUTPUT AND ANTENNA IMPEDANCE

The range of Antenna Impedance should be in the 50-70 ohm region. However, the pi-network will match considerably higher impedances. It goes without saying that the standing wave ratio should be kept as low as possible. S. W. R.'s of less than 2:1 are mandatory. The coax cable and the antenna must have a sufficient power handling capacity in order to perform properly.

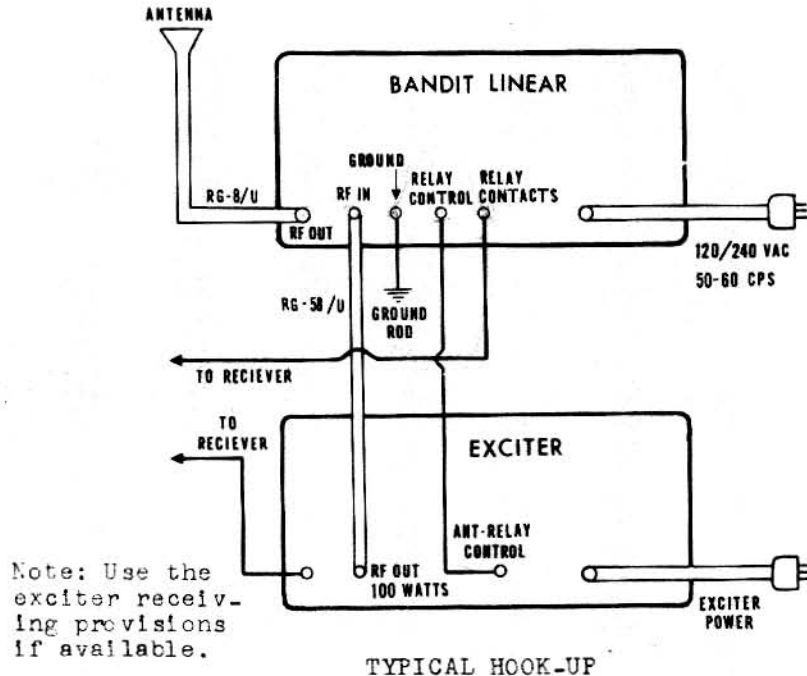
Note: Please keep your S. W. R. at 2:1 or less.

8. CONNECTING THE LINEAR

- a. For Transceiver Operation:
All connections are made at the rear of your Bandit. A binding post is provided for connection of the chassis to ground.

Be sure to make this connection before power is applied to the Bandit.

Two concentric 50 or 52 ohm lines are required to connect the Bandit to a transceiver-exciter unit. Both lines are supplied for use with units utilizing phono jacks.



One line connects the antenna relay. Connect this line from the exciter relay connection to the Bandit's "Relay Control" jack.

The second line attaches the exciter RF output to the "RF Input" jack. This cable should be approximately 3 feet long but the length is not critical and may be varied. The SO-239 coaxial connector marked "Antenna" must be connected to the antenna installation before the unit is operated.

Operation of the transceiver will be as though the linear were not connected after the tune-up procedure has been properly followed. (See Section 9)

- b. For Transmitter-Receiver Operation
A set of relay contacts is available for receiver switching or muting. These contacts are normally open but may be changed to normally closed contacts if the operator desires to do so.

Most all modern exciters have provisions for attachment of the receiver antenna. In case your exciter does not have this provision you may have to employ an external relay to switch the antenna from the linear to the receiver. Many switching methods are described in the "Radio Amateurs Handbook."

CAUTION | Be absolutely sure that RF cannot enter your receiver. If RF from the linear enters your receiver, extensive damage to your receiver will result.

9. TUNING PROCEDURE

Observe the following steps, DO NOT attempt to tune the **Bandit** any other way unless you are completely familiar with this unit.

- a. Place the plate voltage switch (inside the unit, S4) to the High position. This position is marked with an "H".
- b. Set the band switch to the desired position.
- c. When working into a 50 ohm antenna installation, initially set the "Ant. Loading" control and the "Aux. Loading" switch as follows:

80m: Set "Aux. Load" to 3 and "Ant. Loading" to 10. The variable capacitor is fully open in this position. (Approximately 1000 mmf of capacitance is now in the circuit).

40m: Set "Aux. Load" to 2 and "Ant. Loading" to 10. (Approximately 700 mmf of capacitance).

20m: Set "Aux. Load" to 0 and "Ant. Loading" to 0.

15m: Set "Aux. Load" to 0 and "Ant. Loading" to 3.

10m: Set "Aux. Load" to 0 and "Ant. Loading" to 5.

- d. Place the "Relative RF Voltage" control to approximately 5.
- e. Set the plate meter switch to Ip.
- f. At this point tune your exciter, then reduce its output to zero by means of the appropriate control. Do not turn off the exciter.
- g. Flip the Bandit power switch to "ON".

Danger.. The High voltage is now on!

- h. Carefully lift the case top and observe whether both cooling fans are operating.
- i. Increase the excitation to obtain approximately a 300 mA plate current reading on the Bandit's plate meter.

CAUTION | Do not increase Ip to more than 415 mA at any time. FCC regulations limit the input power in this mode of operation to 1000 watts.

- j. Now turn the "P. A. Control" until a peak on the Relative RF meter is indicated. This peak corresponds very closely to the plate current dip. For tune-up procedures observe the peak on the Relative RF meter rather than the dip on the plate current meter.

The Loading Capacitor should be slowly rotated as an attempt to increase the Relative RF indication. However, after changing the "Ant. Loading" the "P. A. Tuning" must also be changed somewhat. The "Aux. Load" may also be changed as follows:

- 80m: Do not change. The 3rd position is best for 50 ohm loads.
- 40m: Reduce to 1 or increase to 3, change the "Ant. Loading" setting accordingly.
- 20m: Increase to 1 and increase "Ant. Loading" setting to a higher number.
- 15m: DO NOT change from 0.
- 10m: DO NOT change from 0.

The relative indication is such that by retaining the sensitivity of the meter (Relative RF output control) and the amount of excitation constant, the RF output peak will correspond with the Relative RF peak. (Also see output check).

Note 1: In case the operator decides to use the full 415 mA for tuning of the linear, it must be remembered that I_p of 415 mA for long periods at one time will cause overheating. This is particularly evident on the upper frequency bands. DO NOT increase I_p to maximum possible for more than a few seconds at any time. Attempting to tune the Bandit at higher plate currents (even with lower plate voltages) will not gain any additional output power.

Note 2: On 10, 15, and 20 meters, it may be desirable to redip the exciter final with the Bandit on, and then retune the linear once again. Observe the linear's I_p when redipping the exciter. Do not let I_p run too high.

THE BEST TUNING PROCEDURE IS DESCRIBED ABOVE.

10. MODULATION

It is recommended that the plate meter peak reading never exceed 415 mA when the unit has been tuned as described above. An indication of about 300-400 mA has proven to deliver excellent talk power.

The Relative RF output voltage meter indication makes an excellent audio output indicator during modulation.

11. CW OPERATION

It is important that the input power be limited to 1000 watts when operating CW. This can be done in part by reducing the High Voltage by means of switch S-4 (set to medium or low). Of course the excitation must also be decreased.

12. AM AND RTTY OPERATION

The Bandit was especially designed for CW and SSB operation.

Operators who wish to use the linear on the AM or RTTY mode must reduce the input power considerably. This is accomplished by reducing the plate current to about 400 mA during transmission and turning the H. V. switch to Low. (800 watts of input).

13. IDLING CURRENT

Without excitation (P. T. T. or VOX remains off) the normal plate static current should be about 20 mA (with the High Voltage switch set to any position). Whenever the P. T. T. or VOX is energized the idling current will jump to approximately 200 mA.

14. REMOVAL OF THE CASE

CAUTION Do not attempt to remove the case as long as any Ep is indicated on the plate meter. Wait at least 30 seconds, unplug the unit and discharge the H. V. (short circuit the tube caps to chassis by means of a suitable insulated tool).

Danger.. Contact with the high voltage may be fatal. please exercise extreme caution.

Place the Bandit upright so that it will rest on the front panel knobs. Use a soft pad in order to avoid scratching the knobs. Remove the hold down screw at the rear bottom edge of the case and lift the case from the chassis. The case fits rather tightly and it may require several trials before the operator will find the removal of the case a simple matter. Use a "tilting action" after the case is almost completely off. Keeping the lid open will aid in the removal and replacement of the case. The power plug can be pushed through the rear panel hole, and does not need to be removed. Touch-up paint can be obtained from the factory.

15. OUTPUT CHECK

In case the operator desires to check the maximum output of the Bandit, the following method should be used:

Connect a 50-52 ohm, 1500 watt dummy load to the Bandit "Antenna" jack. Tune up as described previously. Then momentarily increase the excitation to at least 100 watts output. The Ip meter on the Bandit should kick up to 600-850 mA. The excitation increase should take only a few seconds. In case the Ip did not reach 650 mA, change the loading settings and review the Tuning Procedure. Whenever step j of the Tuning Procedure is combined with approximately 600-850 mA Ip into a 50 ohm antenna load, you can be sure that the Bandit is operating properly. A watt meter may be placed in the antenna line to permit an average output reading. Use a high power watt meter, if all conditions are perfect, the average output may go to 1250 watts on the 80 meter band.

16. MAINTENANCE

Special maintenance is not required to keep the Bandit operating properly. Perform all ordinary maintenance at frequent intervals paying particular attention to the following points:

- Cooling Fans: Whenever the fan blades appear to have dirt on them, use a cloth and solvent for cleaning. A small drop of oil may be placed into the motor oil hole. Do not over-oil.
- Relay: The relay contacts should be cleaned with a contact burnishing tool. Do not use liquid contact preservatives or anti-corrosion compounds, most such liquids will shorten the relay's life.
- Variable Capacitors: The two variable capacitors must be kept dirt-free and dust-free at all times.
- Switches: The switch contacts must be cleaned by use of very small amounts of liquid switch contact cleaners.
- Tubes: The tube compartment and the case surrounding the tube compartment must be kept clean and shiny at all times. This is necessary to insure proper cooling of the tubes.

17. REPAIR

Do not attempt to perform repairs unless you are completely familiar with the circuits utilizing very high voltages and currents. For parts replacement use only specified components. Do not substitute without consulting your authorized distributor or the factory.

Note: Unauthorized substitution will void the warranty.

- No Plate Voltage:
1. Inspect resistor R-3 and check its resistance. This resistor also serves as an overload protector. A plate current of over 1000 mA for a duration of 30 seconds or so will open this resistor.
 2. If the R-8 seems to open repeatedly, the H. V. diode should be checked. Discharge the H. V. and disconnect all wires from any two terminals. Use an ohm meter to check the diode. Each section should indicate at least 30 K ohms forward resistance and infinite reverse resistance.

Bluish Glow in the Vacuum Tubes: In many cases this glow indicates extremely high vacuum and the tube should not be considered as gassy.

Pilot Lamp: To replace the pilot lamp, the unit must be removed from the case. The lamp supplied with the unit has a life expectancy of over 10,000 hours and, consequently, should not require replacement for a long time. In case more brightness is desired, replace existing lamp with a No. 47. The No. 47 however, will have a life expectancy of about 500 hours.

Power Switch: The Power Switch may be removed by taking off the two 6-32 nuts. It is possible to take the switch apart for point burnishing. DO NOT remove and clean this switch unless it fails to operate. DO NOT replace with any substitutes.

Fuses: A 20 amp ceramic fuse is recommended for 115 V operation. On 230 V operation, a 15 amp ceramic fuse must be used.

Paint: Small vials of touch-up paint can be obtained from the factory.

18. THE POWER TRANSFORMER

The primary connections of the Transformer can be easily changed for 115 or 230 volt operation.

The High Voltage switch (S-4) changes the taps on the transformer. The DC plate voltage on position L of S-4 is approximately 2000 VDC, on M 2200 VDC and on H 2400 VDC.

The schematic diagram shows the change over links (also see Figure 2) in the 115 volt position. For 230 volt operation, the primary windings must be wired in series. Changing the links (see Figure 2) to the 230 volt position, will disconnect point 1 from 3 and point 2 from 4, while connecting point 2 to 3.

19. SUMMARY OF CAUTION NOTES

Do not excessively bend the plate caps. These caps are held on by means of the resistor leads and may break off in case of forceful bending.

Do not place other equipment, books or papers on top of the Bandit case.

Be absolutely sure that the RF cannot enter your receiver. If RF from the linear enters your receiver, extensive damage to your receiver will result.

Do not increase I_p to more than 415 mA, at any time. FCC regulations limit the input power in this mode of operation to 1000 watts.

Do not attempt to remove the case as long as any E_p is indicated on the plate meter. Wait at least 30 seconds, unplug the unit and discharge the H. V. (short circuit the tube caps to chassis by means of a suitable insulated tool).

20. FACTORY REPAIR

The manufacturer maintains a complete repair department and a supply of spare parts. Any repairs requested by the owner will be performed at current amateur net prices.

Please do not send a unit for repair without notifying the repair department in advance. Enclose a complete description of difficulties, along with the returned unit.

21. WARRANTY

Your new Hunter Bandit has undergone many rigid inspections and tests. Nevertheless, it is possible that a defect may appear due to circumstances beyond our control. This may be due to shipping damages or due to material defects not readily noticeable during manufacture and inspection. We pack the unit to withstand any normal or even abusive handling during shipment. Each shipment is properly insured and any claim must be filed with the carrier before contacting the manufacturer. In cases other than shipping damages, the following points outline our warranty terms and procedures.

- * This unit (with the exception of tubes, lamps and fuses) is warranted to be free of defects in material or workmanship for a period of 180 days.
- * The tubes are warranted for a period of 90 days.
- * The warranty is limited to repair or replacement of any units or items found defective.
- * In all cases, the manufacturer or an authorized representative of the manufacturer has the right to final determination as to cause of the defect.
- * In no event does the warranty extend beyond the repair or replacement of the items in question.
- * In case there is evidence of any alteration or modification, the warranty becomes void.

- * Always contact the manufacturer for authorization to return defective parts. Outline type of difficulty, indicate distributor's name and date the unit was placed in service.
- * All defective parts must be returned to the manufacturer before replacement parts can be issued.
- * Returned parts or units will not be accepted if improperly packed. The manufacturer's original shipping container should be used in case of return of the complete unit.
- * The warranty card must be returned to the manufacturer within the specified time limit. All warranty terms are void in case the card has not been returned to the manufacturer.
- * The manufacturer will pay shipment one way in case the difficulty is due to defects in material or workmanship.
- * Permission for warranty procedures other than described above may be granted by the company if it deems necessary.
- * Always contact the manufacturer for instructions or in case of questions regarding this warranty. Write to the attention of Mr. M. Kattchee, Chief Engineer, or call Mr. Kattchee at Area Code 319, 338-9211.

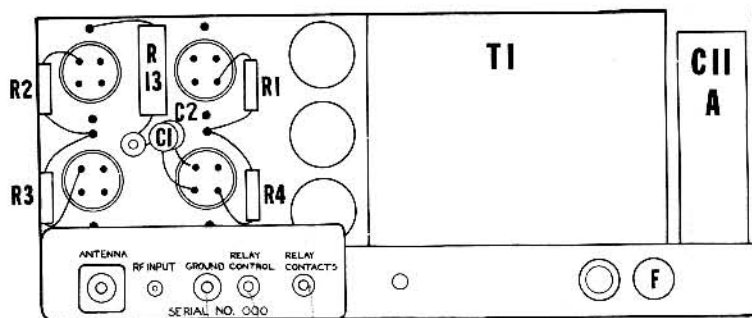
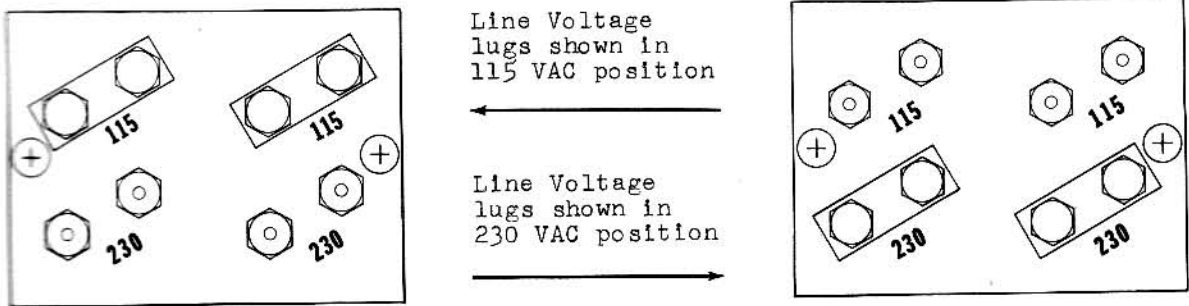
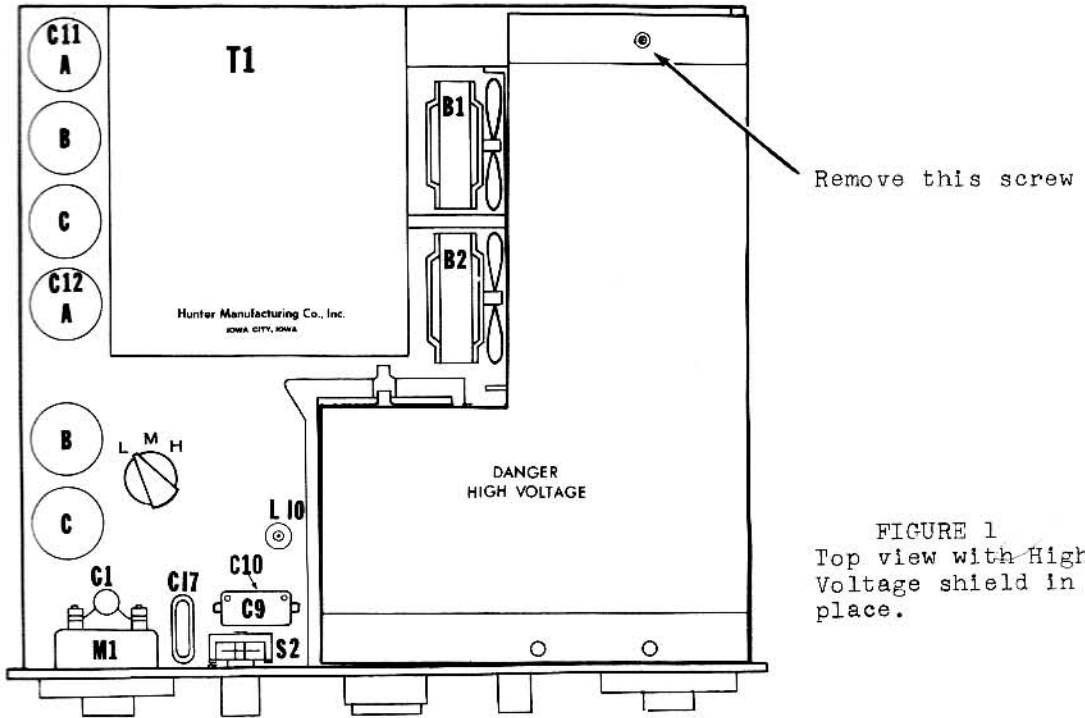
PARTS LIST

Schematic Identification				Manufacturer or Equivalent
Symbol	Hunter Part No.	Description		
B1, B2	23A-18	Cooling Fan Motor 115 VAC		Barber-Colman DYAB, plated
C1, 2	7-11	Capacitor .02 mfd Disc Ceramic		CRL
C3, 4, 13, C14, 15, 16	7-7	Capacitor .01 mfd Disc Ceramic		CRL
C5, 6	7A-205	Capacitor 1000 mmf 5000 VDC		CRL 858
C7	7A-207	Capacitor, variable 15-353 mmfd		E.F. Johnson 154-2-9
C8	7A-210	Capacitor, variable 20-700 mmf (nominal)		E.F. Johnson 154-50-A
C9, 10, 17	7A-203	Capacitor, 350 mmf 2500 WVDC		Transmitting Mica
C11A, 11B, 11C C12A, 12B, 12C	7-211	Capacitor, 140 mfd, 475 VDC, Aluminum can type, insulated		Sprague TVL
F		Fuse, Ceramic 20 amp 250 V; for 115 V oper- ation, 12-15 amp, 250 V; for 230 V operation		
D	32-55	Rectifier, Silicon 3000 VDC, 2.0 amp per leg		Hunter
L1, 2, 3, 4	37A-72	Parasitic Suppressor, 6 turns No. 16 wire, on 47 ohm 2W resistor		Hunter
L5	37A-74	Tank coil, 16 turns, No. 10 wire, 1" diam. tapped at 9 and 4 t. air wound		Hunter
L6	37A-76	Tank coil, wound on ceramic core		Hunter
L7, 8	37-78	Filament choke, No. 12 or 13 Nyclad wire on 3/4" ceramic core		Hunter
L9	37A-67	RF choke		Hunter
L10	37A-60	RF choke, 2.5 mH		National R-100-C Modified

Schematic Identification

Symbol	Hunter Part No.	Description	Manufacturer or Equivalent
G	32-2	Diode, High Frequency	
E-1	19A-20	Panel Meter "Relative RF output" 0-1 mA movement	Ammon AM-2 (special)
E-2	19A-21	Panel Meter, Ip, Ep 0-1 mA movement	Ammon AM-2 (special)
F		Pilot lamp 6 volt for high, 12 volt for moderate brightness	
R1, 2, 3, 4	31-287	Resistor 37.5 ohm 10 watt non-inductive. Made up of 2-75 ohm, 5 watt 5% non-inductive wire wound	Sprague "Koolohm" NIT
R5	31-377	Resistor, carbon 10 Kohm, 1 watt 10%	A-B
R6	37-375	Resistor, carbon 1.2 Kohm, 1 watt 10%	A-B
R7	31A-250	Potentiometer, 50 Kohm, 1 watt linear taper	CRL
R8	31-293	Resistor, 5 ohm 10 watt, wire wound	Sprague "Koolohm"
R9A, 9B, 9C R10A, 10B, 10C	31-285	Resistor, carbon 82 Kohm, 2 watt 10%	A-B
R11		Resistor, carbon 1 watt, approx. 1.2 meg. ohm, selected in manufacture	A-B
R12		Resistor, wire, approx. .1 ohm selected in manufacture	Hunter
R13, R14	31A-295	Resistor, 300 or 350 ohm 10 watt, non-inductive	Sprague "Koolohm" NIT
RY-1, 2	29-43	Relay, 2 PDT, 6.3 VAC coil, 10 amp contacts	Advance
S-1	35A-65	Band Switch, 5 pos., 4500 R. F. volt, 30 amp rating	Radio Switch Corp.

Schematic Identification			Manufacturer or Equivalent
Symbol	Hunter Part No.	Description	
S2	35-69	Switch, "Aux. Loading" 1 pole, 4 pos. continuously shorting	CRL
S3	35A-61	Switch, "Plate Meter" 2 pole, 3 pos.	CRL
S4	35A-60	Switch, High-Med-Low voltage. 1 pole 3 pos.	CRL
V1, 2, 3, 4	UE572B	Tube, 572B	United Electronics
T-1	T-2002	Power Transformer Primary: 115-230 voltage, 50- 60 cps Sec. I High voltage Sec. II 6.8 V, 1 amp Sec. III 7 volt, 16 amp Secondary wound for 2000 V, 2200 V and 2400 V at the plates of the tubes	Hunter
	35-A-64	Power Switch, DPST	Carling



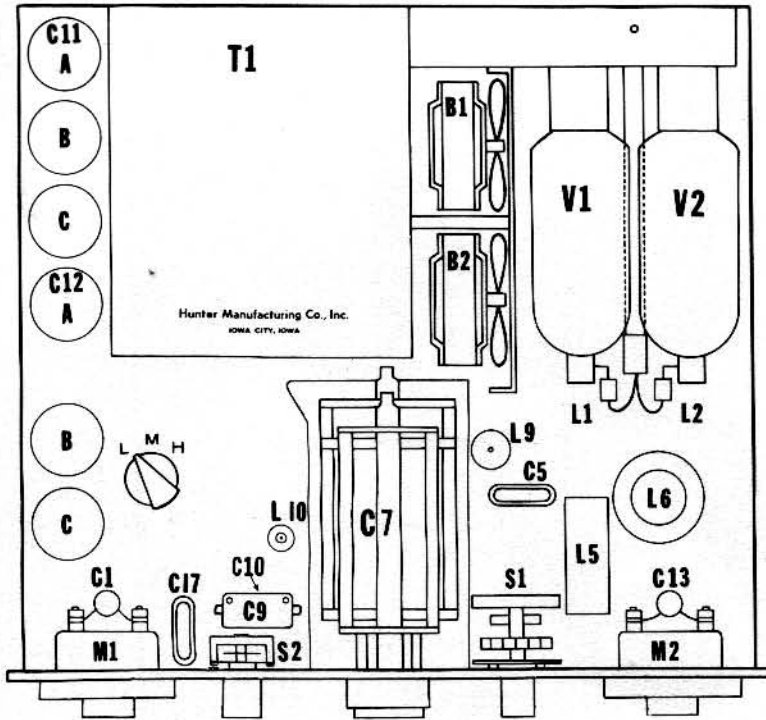


FIGURE 4
Top view with the High Voltage cover removed.

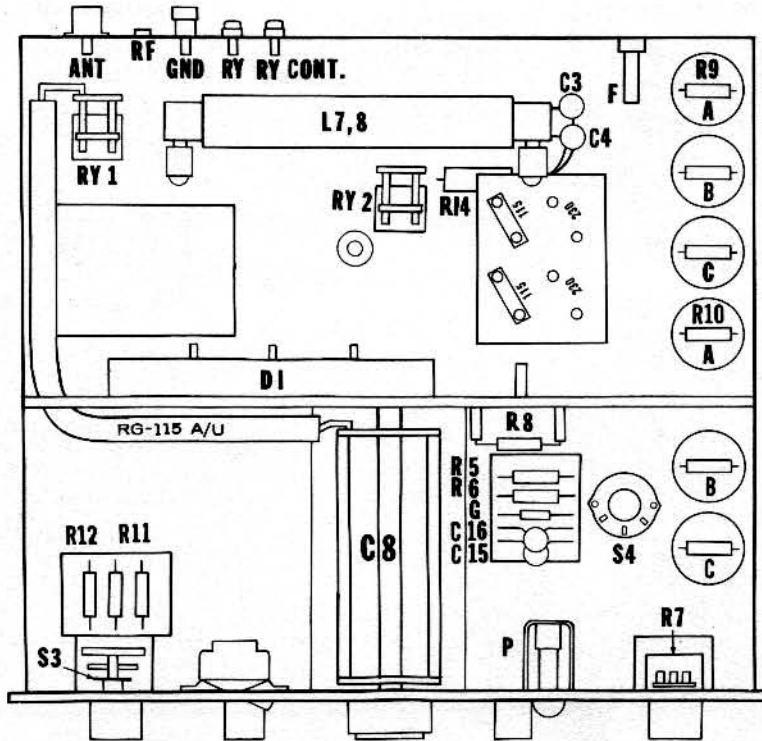
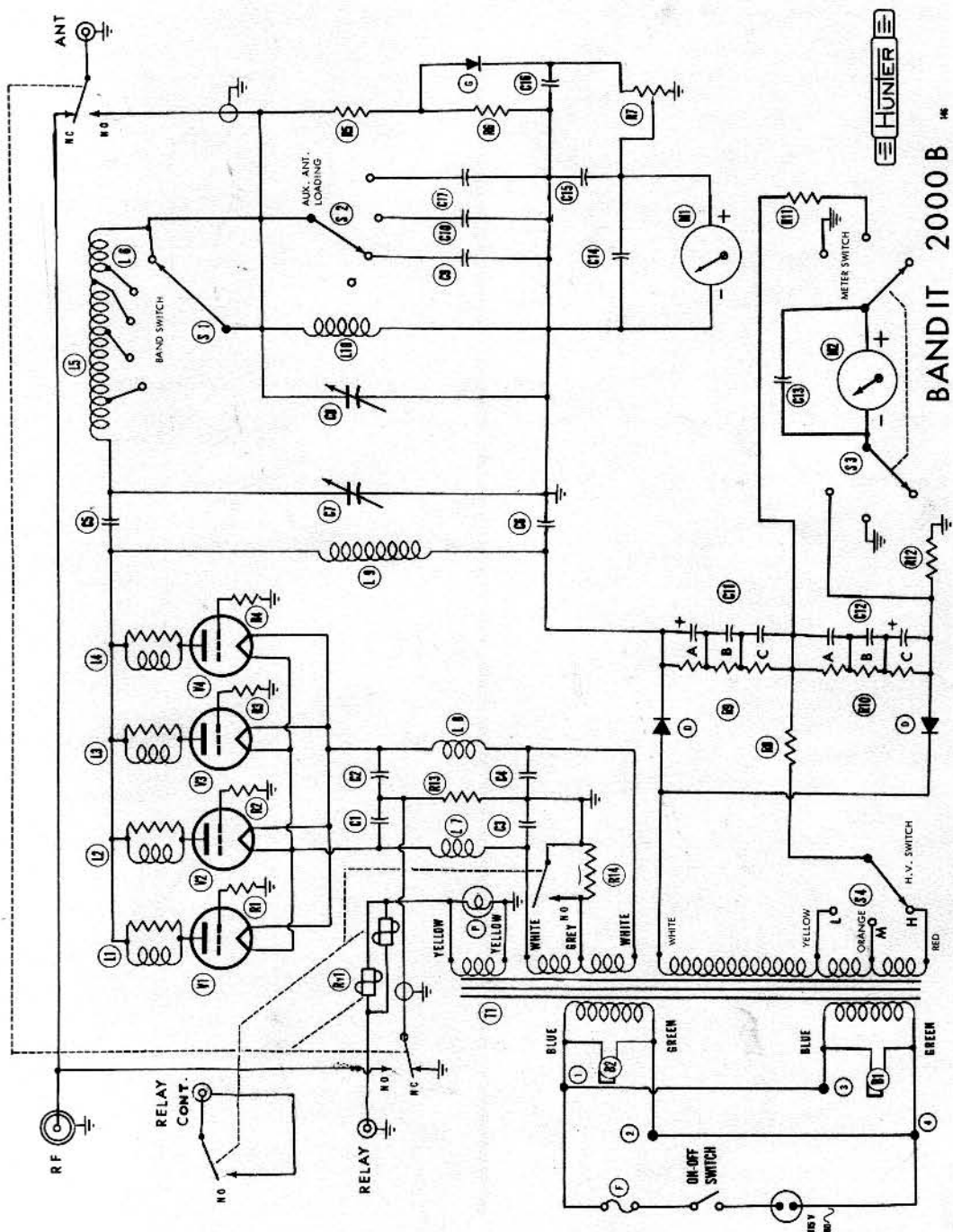


FIGURE 5
Chassis Underside



HUNIER

BANDIT 2000B

REPLACEMENT PARTS PRICE SHEET

<u>Part No.</u>	<u>Description</u>	<u>Price</u>	<u>Part No.</u>	<u>Description</u>	<u>Price</u>
19A-20	Meter, RF Scale (2 1/2")	\$12.00	7-211	Capacitor 140 mfd 475 VDC	\$2.41
19A-21	Meter, I.E. Scale (2 1/2")	\$12.00	7A-203	Capacitor 350 mmf 2500 V Mica	\$1.60
19A-22	Meter, RF Scale (1 1/2")	\$12.00	7-204	Capacitor 1000 mmf 2500 V Mica	\$1.75
19A-23	Meter, I.E. Scale (1 1/2")	\$12.00	32-50	Rectifier, H. V. 3000 V	\$25.00
29A-40	Relay 3 PDT	\$4.70	32-51	Rectifier H. V. 4000 V	\$28.00
29-43	Relay 2 PDT	\$3.90	32-55	Rectifier H. V. 3000 V, 2.0 amp	\$22.00
31-287	Res. set 2-75 ohm, 5 W, N.I.	\$1.00	37A-74	Tank Coil Air Core	\$2.80
31A-297	Res. 5 ohm, 5 W	\$.37	37A-76	Tank Coil, Ceramic Core	\$4.00
31-293	Res. 5 ohm, 10 W	\$.67	37A-60	R. F. Choke 2.5 mH. (R-100)	\$1.20
32-2	Diode IN48	\$.38	37A-63	R. F. Choke 1.0 mH. (R-154-U)	\$2.60
32-15	Diode IN82	\$1.40	37A-67	R. F. Choke Solenoid Wound	\$2.00
32A-54	Zener Diode IN2806	\$6.70	37A-78	Filament Choke	\$7.50
35A-60	Switch 1 pole, 3 pos.	\$2.20		Carbon Resistors 2 Watt	\$.25
35A-61	Switch 2 pole, 3 pos.	\$2.20		Carbon Resistors 1 Watt	\$.25
35A-62	Switch 1 pole, 3 pos.	\$2.20	31-27	Tube Socket for 572A and 572B	\$.75
35A-65	Switch 1 pole, 5 pos. Band Switch 30 amp	\$13.00	UE572A	Tube	\$13.50
35A-66	Switch 1 pole, 5 pos. Band Switch 20 amp	\$12.00	UE572B	Tube(or equivalent)	\$13.50
35A-68	Switch 1 pole, 5 pos. continuously shorting	\$2.50	UE572B	Tube 4 units	\$45.00
35-69	Switch 4 pos. cont- inously shorting	\$2.50		Disc Ceramic Cap.	\$.26
23-18	Motor and Fan	\$4.60		Fuses	\$.20
7A-202	Capacitor 500 mmf (Centralab 858)	\$3.60	35A-64	AC Power Switch	\$2.40
7A-205	Capacitor 1000 mmf (Centralab 858)	\$3.60	G-200 Gr	Case, complete	\$32.50
7A-209	Capacitor 19-488 mmf	\$11.50	6-Kn	Set of Knobs	\$5.00
7A-207	Capacitor 15-353 mmf	\$11.50	P-200 Pr	Front Panel	\$5.00
7-210	Capacitor 15-700 mmf	\$11.50		Touch-up paint, any color	\$.25
			T-2001	Power Trans. for 2000A	\$54.00
			T-2002	Power Trans. for 2000B	\$45.00

Please include postage with the payment for parts. Please inquire in regard to parts not listed. All prices subject to change without notice.